



Insulation Gasket Kit Data Sheet

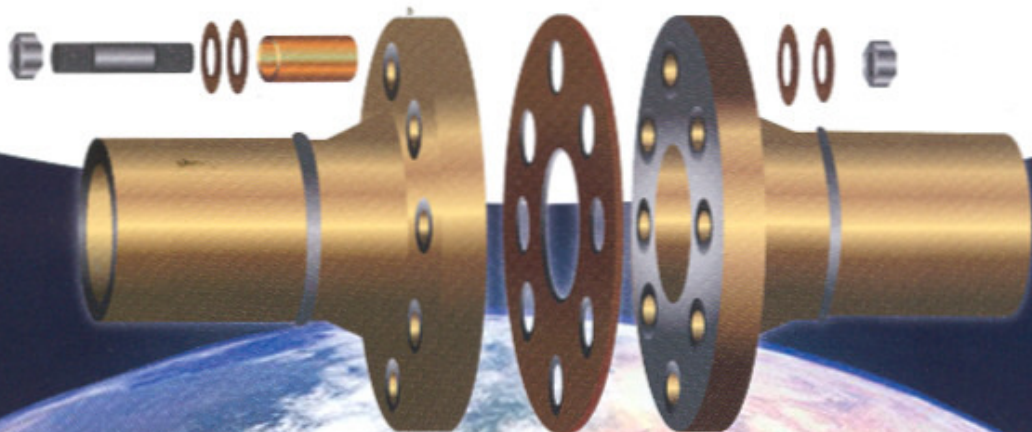
Triplefast Middle East : Sealing Technology Division
Service to Industry BS ISO 9001:2000

Gasket Sealing Division

Tele: +971 4 8831728

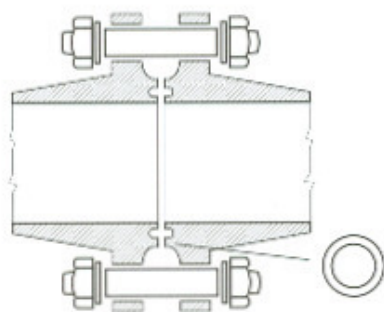
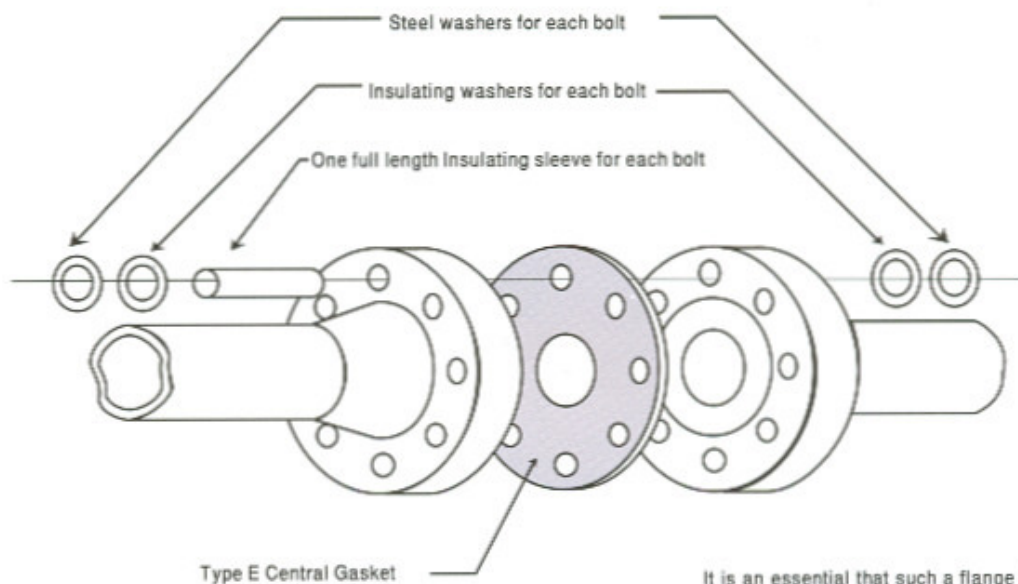
Fax: +971 4 8830832

www.triplefast-me.com



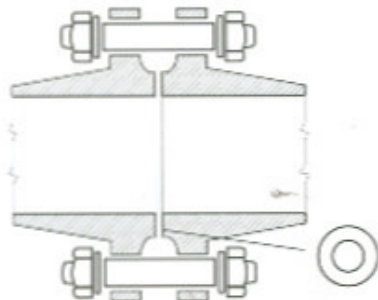
Triplefast-me Ltd. OSC. Free Port Jebel Ali, Dubai U.A.E.
Tele: +971 4 8832234 Fax: +971 4 8832235

Design Concepts & gasket styles



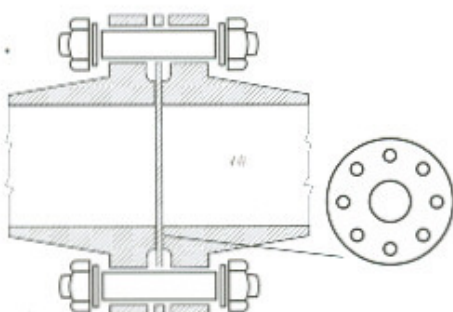
TYPE D SETS

Utilising an oval section gasket. Manufactured from a suitable insulating material, Type D sets fit in to a standard RTJ flange ring groove



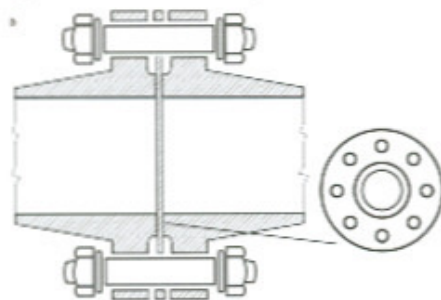
TYPE F SETS

These sets are suitable for raised face flanges, and use a central gasket which locates inside the bolt circle of the flange. Whilst not being as efficient as Type E sets, they have the advantage of allowing fitting without complete separation of the flange, and may be regarded as 'drop in' gaskets.



TYPE E SETS

The style is suitable for raised face and flat flanges. The use of a full face gasket reduces the risk of electrical bridging and the ingress of foreign matter between the flanges.



TYPE G SETS

This style is available in both full face and inside bolt circle versions and incorporates an elastomeric sealing ring in the gasket faces. Appropriate selection of insulating and sealing materials provides a versatile set with higher chemical and temperature resistance.

It is an essential that such a flange insulation set arrangement has the following design criteria applied to achieve their optimum results :

The electrical resistance properties of the components are balanced for the purpose and location in the insulation system.

The components are manufactured from insulating materials with high compressive strength and good stability. Under no circumstances should materials which express cold flow properties be used, as relaxation may occur after bolt tightening is completed. This will result in a reduction in the load applied to the gasket and leakage will take place.

Flange insulation sets comprise the following components which ensure that full electrical isolation is achieved.

1. Central Insulating gasket which is fitted between flanges.
2. Insulating sleeve per flange bolt.
3. Insulating washers per flange bolt.
4. Metal backup washers per flange bolt.

Note : The efficiency of the components may be enhanced by over wrapping the gap between the flange faces with heavy duty insulating tape.